

Flexi-Hinge® Valve Co., Inc.

2450 Dutch Road, Fairview, PA 16415

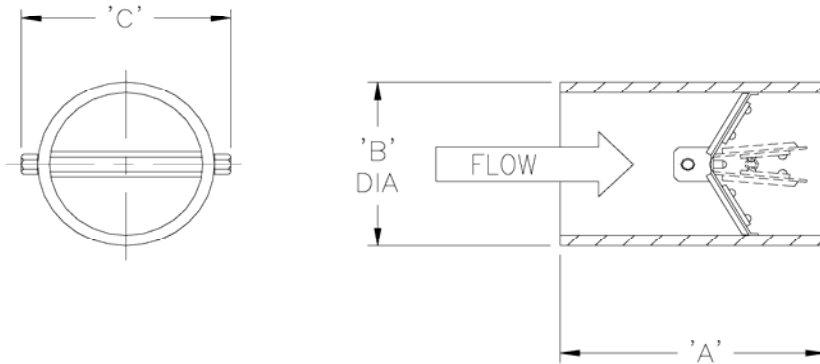
814.474.3539 • Fax 814.474.3532

www.flexi-hinge.com



Series 514 Flexi-Hinge® Check Valve

PLAIN ENDS



SPECIFICATIONS

SIZE [mm]	MODEL NO.	A [mm]	B [mm]	C [mm]	Weight -lbs. [Kg.]	Cv [l/m]
1" [25]	-513	5-3/4" [146.0]	1.315" [34.9]	1-3/4" [44.4]	0.9 [0.41]	37 [140]
1-1/4" [32]	-513	5-3/4" [146.0]	1.66" [42.2]	2-1/16" [52.4]	1.3 [0.59]	65 [246]
1-1/2" [40]	-513	5-3/4" [146.0]	1.90" [48.3]	2-3/8" [60.3]	1.6 [0.73]	91 [345]
2" [50]	-513	5-3/4" [146.0]	2.375" [60.3]	2-13/16" [71.4]	2.6 [1.2]	160 [606]
2-1/2" [65]	-513	5-3/4" [146.0]	2.875" [73.0]	3-5/16" [84.2]	3.2 [1.5]	410 [1552]
3" [80]	-513	5-3/4" [146.0]	3.50" [88.9]	4-1/8" [104.8]	4.7 [2.2]	620 [2346]
4" [100]	-513	6-3/4" [171.4]	4.50" [114.3]	5-1/8" [130.2]	7.7 [3.5]	965 [3652]
5" [125]	-513	7-3/4" [196.8]	5.562" [141.3]	6-3/16" [157.2]	12.5 [5.7]	1510 [5716]
6" [150]	-513	8-3/4" [222.3]	6.625" [168.3]	7-1/2" [190.5]	18.5 [8.4]	3025 [11448]
8" [200]	-513	10-3/4" [273.0]	8.625" [219.1]	9-1/2" [241.3]	32 [14.5]	5195 [19661]
10" [250]	-513	12-3/4" [323.8]	10.75" [273.0]	11-3/4" [298.4]	56 [25.5]	7345 [27804]
12" [300]	-513	14-3/4" [374.6]	12.75" [323.8]	14-1/4" [361.9]	95 [43.2]	9450 [35772]

Note: Dimensions subject to change without notice. Request certified drawings.

Weights shown are for carbon steel and 316 S/S. For aluminum multiply by 0.35.

AVAILABLE MATERIALS

BODY		INTERNALS	
-1	Carbon Steel	2	316 S/S Steel
-2	316 S/S Steel	3	Aluminum
-3	Aluminum		

Standard hardware is 316 S/S
Standard seal material is Buna-N

Seals		Options	
1	Buna-N	0	No Spring
2	EPDM	1	S/S Spring
3	Silicone	2	Special
4	Viton		

(1) See general catalog for temperature limitations

Note: Maximum Working Pressure is 200 psi
at 150°F

Consult Factory for Sizes, Materials, Pressure Ratings and Combination End Configurations Not Shown

PRESSURE LOSS CHARTS WATER AND AIR APPLICATIONS

[SEE TECHNICAL SECTION FOR OTHER LIQUIDS AND GASES]

